

GE13 Miniature Lid Support Stay With Star Wheel Release

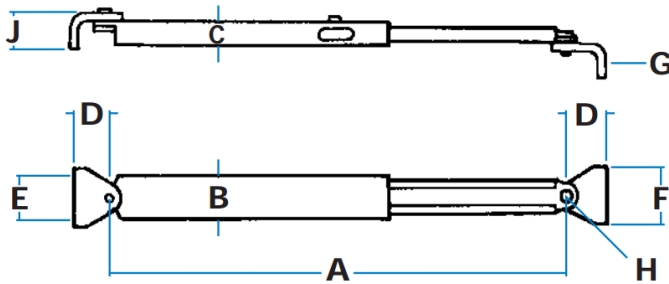
Upward opening · Top opening

Features

- These miniaturised versions of our standard stays use a section width of 9 mm x 19 mm, making them less obtrusive and suitable for smaller installations.
- The 'star-wheel' design allows automatic release – useful where two stays are fitted
- Applications include electrical cabinets, instrument cases, inspection windows and ski-boxes
- Stay extends as door is opened, and locks in the extended position. It is automatically released by a further slight extension, allowing unit to be closed.
- Standard brackets (G25135) as illustrated for plant-on fitting

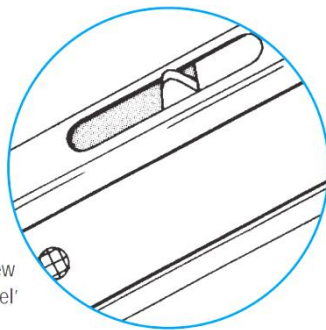
Material

- Mild steel, clear zinc-plated



Part No.	Type	A	B	C	D	E	F	G	H	J
GE13-G25122	Stay with 2 mounting brackets	When closed: 152 When extended: 239	19	9	16	13	24	3.5	10	13
GE13-G25122-01	Stay with mounting brackets reversed									
GE13-G25122-02	Stay with mounting brackets and thumbscrew fitment									
GE13-G26596	Stay without mounting brackets									
GE13-G26596-02	Stay without mounting brackets, but with thumbscrew fitment									

Detailed view of 'star wheel' area.



Thumb-screw fitment

A weld-nut is fitted in the outer slide, so that the thumb-screw can be tightened, thus locking the stay at any intermediate position.